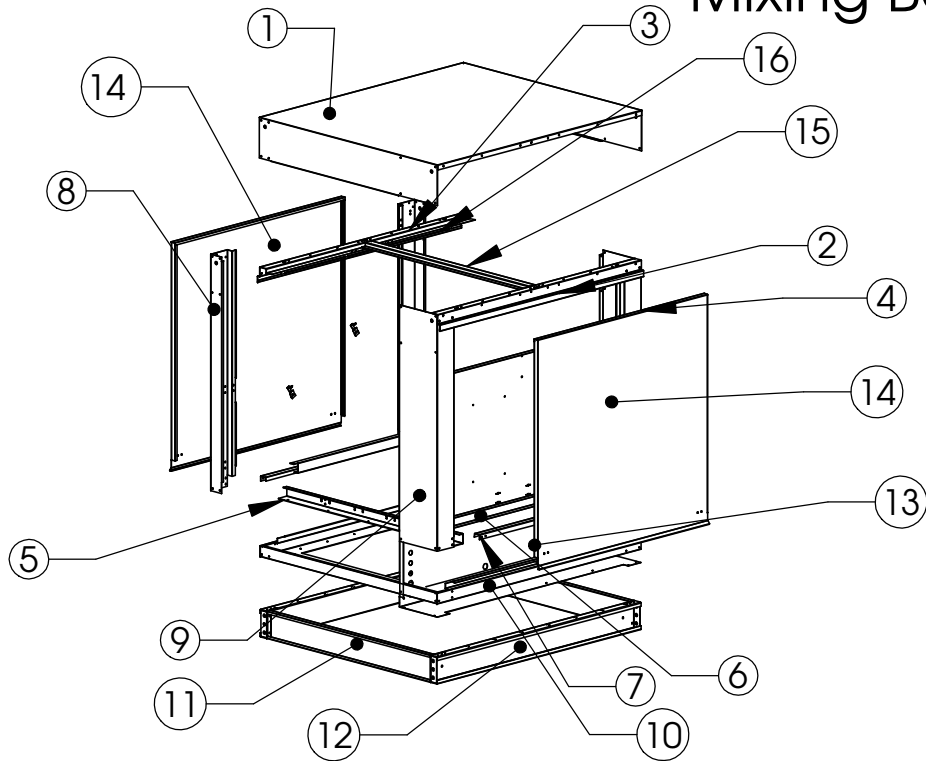


# Mixing Box Module



Revision History				
#	Description	Revised by	ECN#	Date
1	Updated Parts Information	AJK	2048	5/26/10

NOTES:

1) Up Discharge Lid number is D\*LIDDUP.

Mixing Box Part Information.											
Item #	Description Of Part	DF-1	#	DF-2	#	DF-3	#	DF-4	#	DF-5	#
1	Lid	D1LIDD	1	D2LIDD	1	D3LIDD	1	D4LIDD	1	D5LIDD	1
2	Drip Rail	MD13DR	2	MD13DR	2	MD13DR	2	MD45DR	2	MD45DR	2
3	Left Front Post	D1LTFP	1	D2LTFP	1	D3LTFP	1	D4LTFP	1	D5LTFP	1
4	Right Front Post	D1RTFP	1	D2RTFP	1	D3RTFP	1	D4RTFP	1	D5RTFP	1
5	Horizontal Support	M1HSUP	2	M2HSUP	2	M3HSUP	2	M4HSUP	2	M5HSUP	2
6	Damper Cap	MB1CAP	2	MB2CAP	2	MB3CAP	2	MB4CAP	2	MB5CAP	2
7	Door Hook	MD13DRHK	2	MD13DRHK	2	MD13DRHK	2	MD45DRHK	2	MD45DRHK	2
8	Left Rear Post	D1LRDJNV	1	D2LRDJNV	1	D3LRDJNV	1	D4LRDJNV	1	D5LRDJNV	1
9	Right Rear Post	EH1RRDJ	1	EH2RRDJ	1	EH3RRDJ	1	EH4RRDJ	1	EH5RRDJ	1
10	Bottom	MB1BOTT	1	MB2BOTT	1	MB3BOTT	1	MB4BOTT	1	MB5BOTT	1
11	End Flashing	M1EFLS	2	M2EFLS	2	M3EFLS	2	M4EFLS	2	M5EFLS	2
12	Main Rail	MD12MR	2	MD12MR	2	MD3MR	2	MD45MR	2	MD45MR	2
13	Electric Cabinet Back	D1ECBK	1	D2ECBK	1	D3ECBK	1	D4ECBK	1	D5ECBK	1
14	Door	D1DOOR	2	D2DOOR	2	D3DOOR	2	D4DDOR	2	D5DDOR	2
Not Shown	Lifting Lugs	MLIFTL	4	MLIFTL	4	MLIFTL	4	MLIFTL	4	MLIFTL	4
15	Lid Support	N/A	0	N/A	0	N/A	0	M4LSUP	2	M5LSUP	2
16	Door Support	MD13DRSP	2	MD13DRSP	2	MD13DRSP	2	MD45DRSP	2	MD45DRSP	2