

**SPECIFICATIONS**

- 1.0 Mounting Position: Diaphragm Vertical (See Diag. Below).
- 2.0 Set Point: Calibrate at 0.25" ±.05" W.C. Pressure Rise Vertical Plane - DO NOT SEAL!
- 2.1 Field Adjustable: "Operate Range" 0.17" W.C. to 5.0" W.C.
- 2.2 Field Adjustable: "Release Range" 0.10" W.C. to 4.7" W.C.
- 3.0 Approximate Switching Differential: Progressive; Increasing from 0.05 ± .02" w.c. At Minimum Set Point To Approximately 0.3" w.c. At Maximum Set Point.
- 4.0 Measured Media: Air.
- 5.0 Operating Temperature Range: -40° F to 180° F (-40° C to 82° C).
- 6.0 Life: 100,000 Cycles Minimum at 1/2 PSI Maximum Pressure Each Cycle and at Maximum Rated Electrical Load.
- 7.0 Electrical Rating.
- 7.1 300 VA Pilot Duty at 115 to 277VAC.
- 7.2 15 Amp Non-inductive to 277VAC.
- 8.0 Contact Arrangement: SPDT
- 9.0 Position of Switch Contacts Before Pressure is Applied.

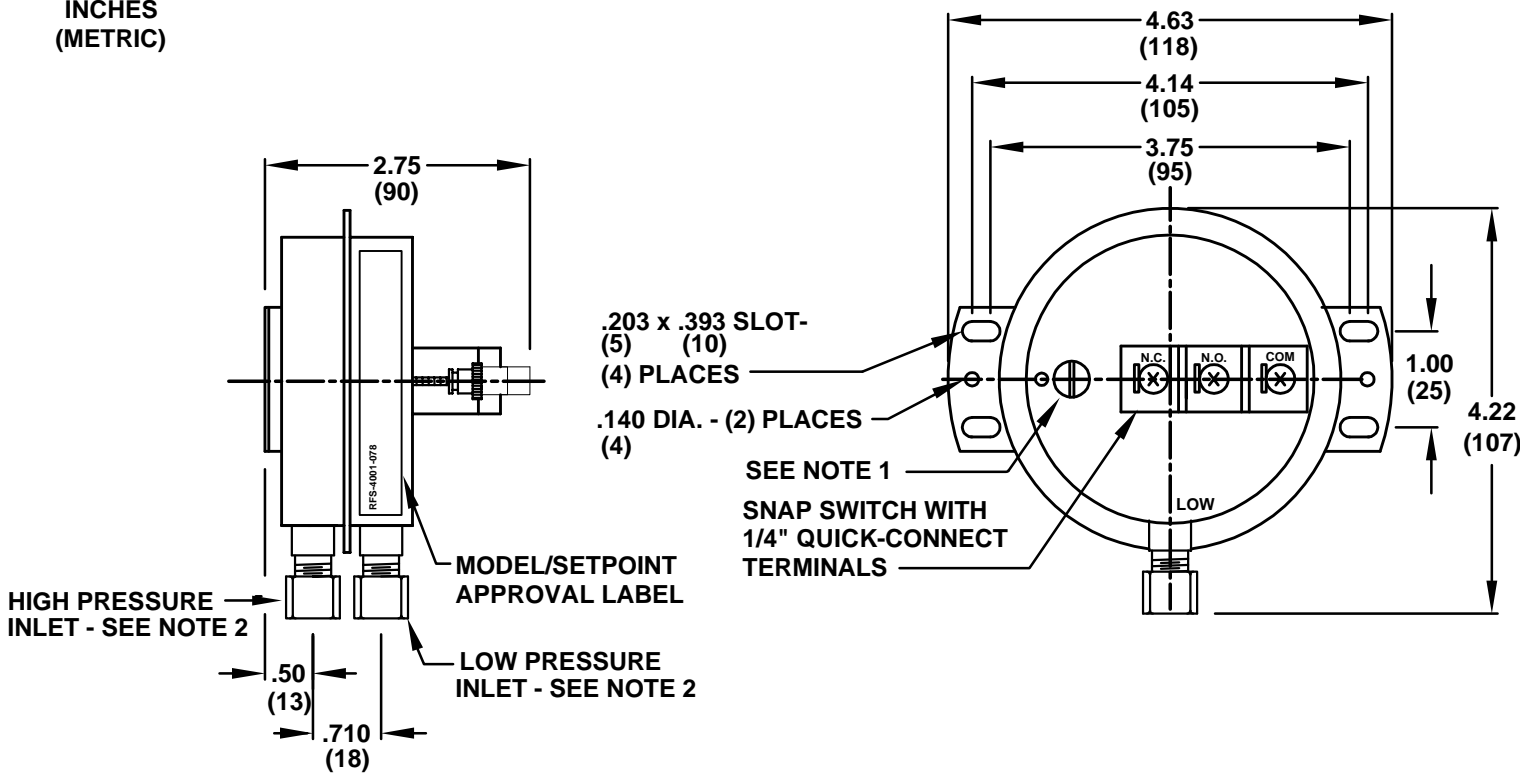


**NOTE 1** Adjustment Screw - Turn Clockwise to Increase Set Point.

**NOTE 2** Sample Line Connectors, Complete With Nut and Ferrule, Will Accept 1/4" O.D. Rigid or Semi-Rigid Tubing.

**NOTE 3** Approval or Recognition By: UL/CUL File MH6213; CSA File LR18754.

**DIMENSIONS  
INCHES  
(METRIC)**



CLEVELAND CONTROLS DIV. OF UNICONTROL INC. MAKES NO REPRESENTATION OR WARRANTY CONCERNING THE SUITABILITY OF THIS DEVICE FOR A SPECIFIC APPLICATION OR PRODUCT. IT IS THE RESPONSIBILITY OF THE USER TO VERIFY THE SUITABILITY OF THIS DEVICE FOR THE SPECIFIC APPLICATION. WHERE AN OPERATING CONTROL FAILURE WOULD RESULT IN PERSONAL INJURY AND/OR LOSS OF PROPERTY, IT IS THE RESPONSIBILITY OF THE USER TO ADD DEVICES OR SYSTEMS THAT PROTECT AGAINST, OR WARN OF, FAILURE OF THIS DEVICE.

**SENSING SWITCH SPECIFICATIONS  
CAPTIVEAIRE P/N: A0016441**

**CLEVELAND CONTROLS MODEL: RFS-4100-078**

REV	DCN No.	DATE	BY	CHKD		
DRAWING RELEASE No.		4840			THIS PRINT IS THE EXCLUSIVE PROPERTY OF CLEVELAND CONTROLS AND CANNOT BE REPRODUCED IN WHOLE OR IN PART OR ISSUED OR DISCLOSED TO THIRD PARTIES WITHOUT THE EXPRESS WRITTEN CONSENT OF CLEVELAND CONTROLS.	
DWN	MJA	DATE	7/22/09	CHKD		
CHKD	FL	DATE	7/22/09	SCALE	1/2" = 1"	A60087-078
				.XX ± .015	.XXX ± .005	
						REV

**Cleveland Controls Division of UniControl Inc.**  
1111 Brookpark Rd. Cleveland, Ohio 44109-5825