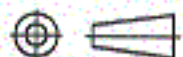


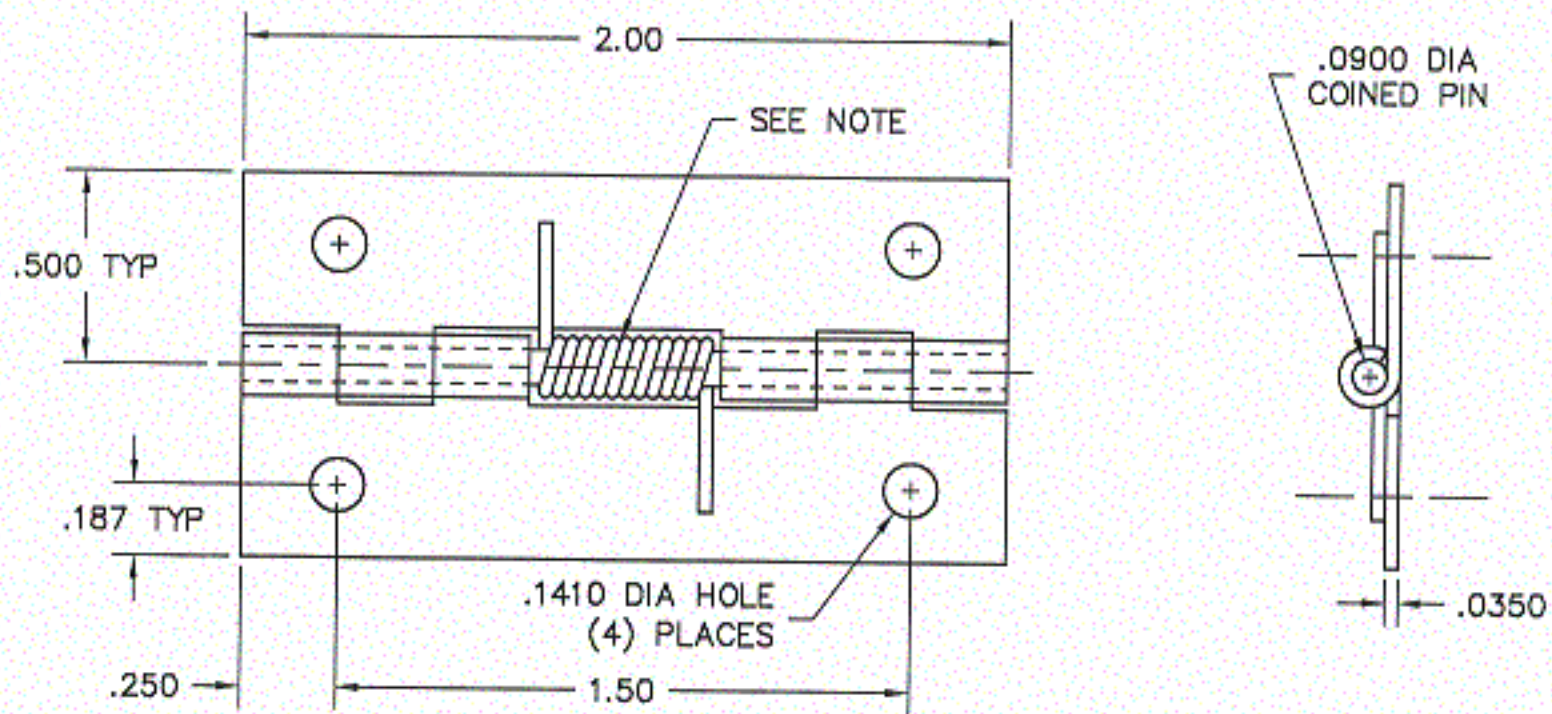
A
SIZE

PROJECTIONS



TOLERANCES UNLESS OTHERWISE SPECIFIED:

PLACES	INCH	NOTE:
.XX	± .030	ACCEPTABLE BURR ± 10% OF MATERIAL THICKNESS ALL TOLERANCES ARE NON-CUMULATIVE ALL DIMENSIONS APPLY TO PART BEFORE ANY FINISH IS APPLIED
.XXX	± .015	
.XXXX	± .005	
ANGLE	± 3°	



- NOTES:
 1. FINISH: 27- VAPOR DEGREASE
 2. SPRING: SPR-002 LOADED TO OPEN, (1) PLACE

DWG	SCALE	2:1	CODE IDENT. #
STS1643035	DATE	04/28/99	03007

MATERIAL	FINISH
STS	SEE NOTE

DR. BY RAG	CK. BY CD
------------	-----------

FAX: 1-516-737-2933
 EMAIL: info@guden.com
 WEB: www.guden.com

Guden

99 RAYNOR AVE.
 RONKONKOMA, N.Y. 11779
 1-800-3-HINGES

A	REVISION	DATE	APPD
	REDRAWN	04/28/99	CD
LTR	DESCRIPTION	DATE	APPD
	REVISION		

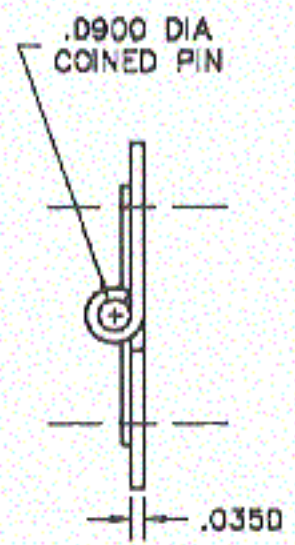
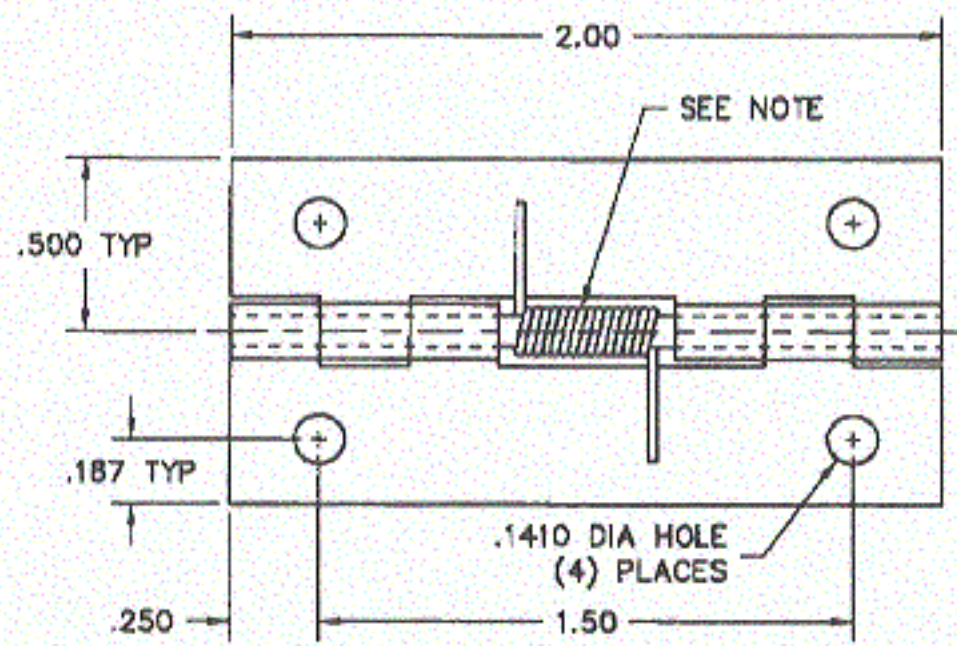
>>> Quote 502960 Attn BILL GRIFFIN at CAPTIVE-AIRE SYSTEMS Please date and sign: *LBG 02/10/04*

A
SIZE

PROJECTIONS

TOLERANCES UNLESS OTHERWISE SPECIFIED:

PLACES	INCH	NOTE:
.XX	± .030	ACCEPTABLE BURR ± 10% OF MATERIAL THICKNESS
.XXX	± .018	ALL TOLERANCES ARE NON-CUMULATIVE
.XXXX	± .005	ALL DIMENSIONS APPLY TO PART BEFORE ANY FINISH IS APPLIED
ANGLE	3°	



- NOTES:**
1. FINISH: 27- VAPOR DEGREASE
 2. SPRING: .023 WIRE DIA, APPROX. (18.75) COILS
.375 LEGS, LOADED TO OPEN, (1) PLACE

DWG 531944-0104	
MATERIAL STS	FINISH SEE NOTE
DR. BY RAG	CK. BY CD
FAX: 1-831-737-2933 EMAIL: info@guden.com WEB: www.guden.com	

SCALE	2:1	CODE IDENT. #
DATE	02/05/04	03007
GUDEN DELIVERING HARDWARE EXCELLENCE		
99 RAYNOR AVE. RONKONKOMA, N.Y. 11779 1-800-3-HINGES		

A	CHANGED SPRING	02/10/04	CD
LTR	DESCRIPTION	DATE	APPD
	REVISION		

TOTAL P.02

FEB-18-2004 05:42

P.02