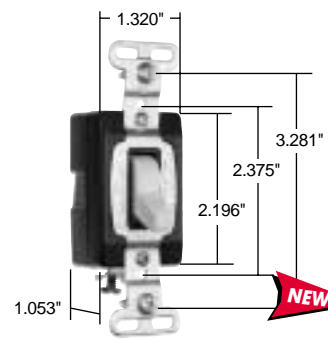




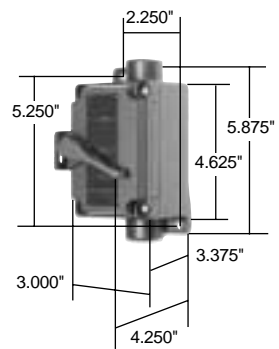
Switches

Manual Controllers

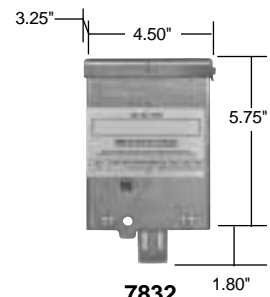
20 & 30A 1Ø, 20 & 30A 3Ø



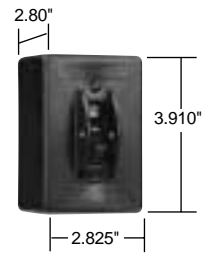
PS20AC2-HP
PS30AC2-HP



7812-EX
7813-EX
HP30-EX



7832
7833



7812-P
7813-P

UL Listed
CSA Certified
All devices listed on this page conform to NEMA WD-1.

Features — 20AC2-HP & 30AC2-HP

- Oversize silver contacts for long life & better heat dissipation.
- Single phase switches are side wired with #14 – #10 AWG copper or copper-clad conductors.
- Shallow design for ease of installation.
- 2-3/4" hubs (HP30-EX).

Catalog Number	Description	Rating			
		A.	VAC	HP	VAC
Double Pole, Single Phase					
PS20AC2-HP	Double Pole, Single Phase AC Manual Motor Starting Switch (No overload protection)	20	120/277	1 2	120 240
PS30AC2-HP	Double Pole, Single Phase AC Manual Motor Starting Switch (No overload protection)	30	120/277	2 2	120 240
HP30-EX	30AC2-HP in a NEMA 7 & 9 Enclosure for Hazardous Locations Class I - Groups C, D; Class II - Groups E, F, G	Same as 30AC2-HP			

Features — 7802 & 7803

- High horsepower rating of 20HP.
- Compact design.
- Gull-wing shaped brass terminal pressure clamps.
- Constructed of glass-reinforced thermoplastic.
- Two-point contact arms.
- One-piece contact carrier.
- UL 508 & cULus Listing of individual device & assembled device within enclosure.
- Heavy-duty zinc-plated steel strap.
- Two brass rivets secure strap to housing.
- Back & side wire terminal screws unstaked for use with ring terminals.
- Oversized silver alloy contacts.
- 2-3/4" hubs (7812-EX & 7813-EX).
- 2-1/2" knockouts on back and 2-1/2"-3/4" knockouts on top and bottom (7812-P, 7813-P, 7806P).
- 2-1/2" knockouts on bottom and back (7832 & 7833).

Catalog Number	Description	Rating			
		A.	VAC	HP	VAC
Double Pole, Single Phase					
7802	Double Pole, Single Phase AC Manual Motor Controller (No overload protection)	General Use 30	600 max.	2 3 7.5 10	120 240 480 600
7812-P	7802 in a NEMA 1 Enclosure	Same as 7802			
7812-EX	7802 in a NEMA 7 & 9 Enclosure for Hazardous Locations Class I - Groups C, D; Class II - Groups E, F, G	Same as 7802			
7832	7802 in a NEMA 3R Enclosure	Same as 7802			
Three Pole, Three Phase					
7803	Three Phase, Three Pole AC Manual Motor Controller (No overload protection)	General Use 30	600 max.	3 7.5 10 20	120 240 480 600
7813-P	7803 in a NEMA 1 Enclosure	Same as 7803			
7813-EX	7803 in a NEMA 7 & 9 Enclosure for Hazardous Locations Class I - Groups C, D; Class II - Groups E, F, G	Same as 7803			
7833	7803 in a NEMA 3R Enclosure	Same as 7803			

7806-P NEMA Black Nylon Enclosure with 1/2" and 3/4" knockouts at each end.
7801-P Handle Locking Guard has opening for padlock to secure control in either ON or OFF position.
7830 NEMA 3R Aluminum Enclosure.

