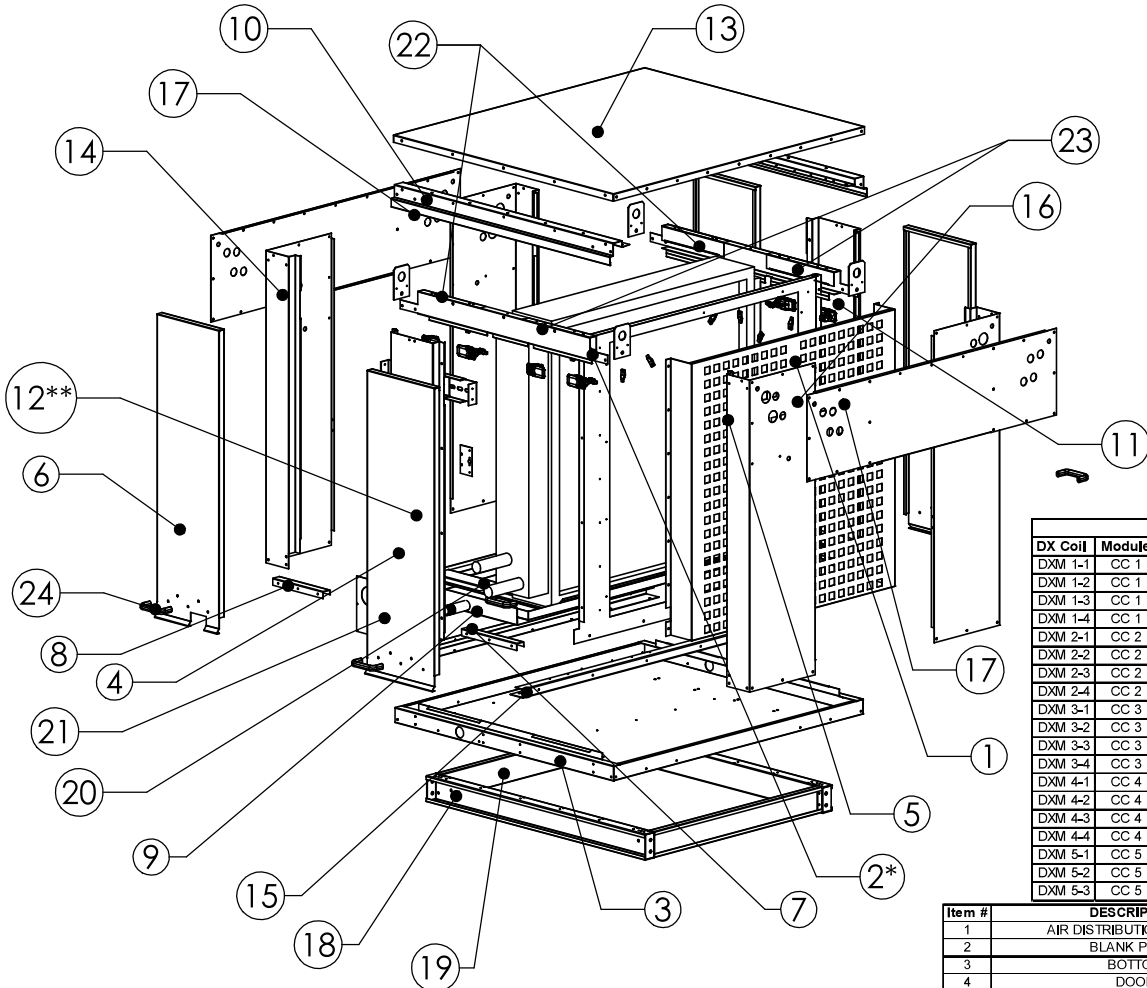


DX AND
CHILLED WATER
EXPLODED
VIEW

3/5/2018

Revision History				
#	Description	Revised by	ECN#	Date
5	Added Door Handles	JJH	2594	3/18/13
6	Added TXV Support Bracket	DAM	2911	11/2/16
7	Replaced Drain Pan	BWI	3007	3/6/18



DX & CHILLED WATER

DX Coils						Chilled Water Coils		
DX Coil	Module	New Coil Part Number	Old Coil Part Number	Grommet	CW Coil	Module	Coil Part Number	
DXM 1-1	CC 1	3EZ0802H-031.25 x 027.00	5EN0603B 31.5x27.0	63595k37	CWCM 1-1	CC 1	5WS0604B 31.5 X 27.00	
DXM 1-2	CC 1	4EZ0802H-031.50 x 027.00	5EN0903B 31.5x27.0	63595k37	CWCM 1-2	CC 1	5WS1004B 31.5 X 27.00	
DXM 1-3	CC 1	4EZ0903H-031.50 X 027.00	5EJ0804B 31.5x27.0	63595k37	CWCM 1-3	CC 1	5WS1204B 31.5 X 27.00	
DXM 1-4	CC 1	3EZ1303H-031.25 x 027.00	5EJ1304B 31.5x27.0	63595k37 (2)	CWCM 1-4	CC 1	5WS1404B 31.5 X 27.00	
DXM 2-1	CC 2	3EZ1201H-037.50 x 036.00	5EJ0603B 37.5x36.0	63595k37 (2)	CWCM 2-1	CC 2	5WS0604B 37.5 X 36.00	
DXM 2-2	CC 2	4EZ1002H-037.50 x 036.00	5EJ0703B 37.5x36.0	63595k37 (2)	CWCM 2-2	CC 2	5WS1004B 37.5 X 36.00	
DXM 2-3	CC 2	4EY1002H-037.5 x 036.00	5EJ1103B 37.5x36.0	63595k37 (2)	CWCM 2-3	CC 2	5WS1204B 37.5 X 36.00	
DXM 2-4	CC 2	4EZ0903C-037.50 x 036.00	5EJ0904B 37.5x36.0	63595k37 (2)	CWCM 2-4	CC 2	5WS1404B 37.5 X 36.00	
DXM 3-1	CC 3	4EZ0602H-043.50 x 042.00	5EJ0603B 43.5x42.0	63595k37 (2)	CWCM 3-1	CC 3	5WS0604B 43.5 X 42.00	
DXM 3-2	CC 3	4EZ0902H-043.50 x 042.00	5EJ0703B 43.5x42.0	63595k37 (2)	CWCM 3-2	CC 3	5WS1004B 43.5 X 42.00	
DXM 3-3	CC 3	4EY1002H-043.50 X 42.00	5EJ0903B 43.5x42.0	63595k37 (2)	CWCM 3-3	CC 3	5WS1204B 43.5 X 42.00	
DXM 3-4	CC 3	4EY1102C-043.75 x 042.00	5EJ1303B 43.5x42.0	63595k37 (2)	CWCM 3-4	CC 3	5WS1404B 43.5 X 42.00	
DXM 4-1	CC 4	4EZ1102H-052.50 x 048.00	5EJ0603B 52.5x48.0	63595k37 (2)	CWCM 4-1	CC 4	5WS0604B 52.5 X 48.00	
DXM 4-2	CC 4	4EY1002H-052.50 x 048.00	5EJ0803B 52.5x48.0	63595k37 (2)	CWCM 4-2	CC 4	5WS0604B 52.5 X 48.00	
DXM 4-3	CC 4	4EY1102H-052.50 x 048.00	5EJ0903B 52.5x48.0	63595k37 (2)	CWCM 4-3	CC 4	5WS1004B 52.5 X 48.00	
DXM 4-4	CC 4	4EY1103H-052.50 X 048.00	5EJ0904B 52.5x48.0	63595k37 (2)	CWCM 4-4	CC 4	5WS1204B 52.5 X 48.00	
DXM 5-1	CC 5	4EZ1002H-055.50 x 067.00	5EJ0603B 55.5x67.0	63595k39 (2)	CWCM 5-1	CC 5	5WS0604B 55.5 X 67.00	
DXM 5-2	CC 5	4EZ1302H-055.50 x 067.00	5EJ0703B 55.5x67.0	63595k39 (2)	CWCM 5-2	CC 5	5WS0804B 55.5 X 67.00	
DXM 5-3	CC 5	4EZ1003H-055.50 X 067.00	5EJ0604B 55.5x67.0	63595k39 (2)	CWCM 5-3	CC 5	5WS1004B 55.5 X 67.00	

Item #	DESCRIPTION	CC 1	CC 2	CC 3	CC 4	CC 5
1	AIR DISTRIBUTION SCREEN	CC1AIDIS	CC2AIDIS	CC3AIDIS	CC4AIDIS	CC5AIDIS
2	BLANK PLATE	CC1BLANK	CC2BLANK	CC3BLANK	CC4BLANK	NOTE *
3	BOTTOM	CC1BOTTOM	CC2BOTTOM	CC3BOTTOM	CC4BOTTOM	CC5BOTTOM
4	DOOR	CC1DOOR(2)	CC2DOOR(2)	CC3DOOR(2)	CC4DOOR(2)	CC5DOOR(2)
5	NARROW DOOR	CC1DOORN	CC2DOORN	CC3DOORN	CC4DOORN	CC5DOORN
6	DOOR WITH DRAIN	CC1DOORD	CC2DOORD	CC3DOORD	CC4DOORD	CC5DOORD
7	DOOR HOOK	MCC13HOOK(2)	MCC13HOOK(2)	MCC13HOOK(2)	MCC45HOOK(2)	MCC45HOOK(2)
8	DOOR HOOK NARROW	MCC13HOOKN(2)	MCC13HOOKN(2)	MCC13HOOKN(2)	MCC45HOOKN(2)	MCC45HOOKN(2)
9	DRAIN PAN	CC1DRPAN	CC2DRPAN	CC3DRPAN	CC4DRPAN	CC5DRPAN
10	DRIP RAIL		MD13DR (2)			MD45DR (2)
11	CENTER POST	CC1CPOST	CC2CPOST	C3CPOST	CC4CPOST	CC5CPOST
12	CENTER POST DX**	CC1CPOSTDX	CC2CPOSTDX	CC3CPOSTDX	CC4CPOSTDX	CC5CPOSTDX
13	LID	CC1LID	CC2LID	CC3LID	CC4LID	CC5LID
14	LEFT FRONT POST	CC1LFRP(2)	CC2LFRP(2)	CC3LFRP(2)	CC4LFRP(2)	CC5LFRP(2)
15	PAN SUPPORT	CC1PANSP (2)	CC2PANSP (2)	CC3PANSP (2)	CC4PANSP (2)	CC5PANSP (2)
16	RIGHT FRONT POST	CC1RFRP (2)	CC2RFRP (2)	CC3RFRP (2)	CC4RFRP (2)	CC5RFRP (2)
17	TOP EXTENSION	CC1TPXT (2)	CC2TPXT (2)	CC3TPXT (2)	CC4LIDEX (2)	CC5LIDEX (2)
18	MAIN RAIL		MD12MR (2)			MD45MR (2)
19	END FLASHING	M1EFLS (2)	M2EFLS (2)	M3EFLS (2)	M4EFLS (2)	M5EFLS (2)
20	COIL SUPPORT		MCC15COS (3)			MCC15COS (4)
21	COIL ACCESS DOOR (DX ONLY, PER SIZE)	MCC1ACD1	MCC2ACD1	MCC3ACD1	MCC4ACD1	MCC5ACD1
		MCC1ACD4			MCC4ACD4	MCC5ACD4
22	NARROW DOOR SUPPORT		MCC13DSUPN(2)		MCC45DSUPN(2)	
23	DOOR SUPPORT		MCC13DSUP(2)		MCC45DSUP(2)	
24	DOOR HANDLE			P-50-1010 (4)		
25	OUTSIDE BRACKET COVER			MCC150BKTC		
26	INSIDE BRACKET COVER			MCC15IBKTC		

One part is used unless otherwise noted.

NOTES:
 * ITEM 2 (BLANK PLATE) IS REPLACED BY 4 COMPONENTS ON THE SIZE 5 MODULE
 CC5BBLPL, CC5LBLPL, CC5TBLPL, AND CC5RBLPL
 * ITEM12(CC*CPOSTDX) IS REPLACED BY CC*CPOSTCW ON CHILLED WATER MODULES.
 * ENTIRE CABINET GETS INSULATED.
 * COLD WATER COIL CABINET MUST BE SEALED AROUND PIPING WITH GREY SILICONE.