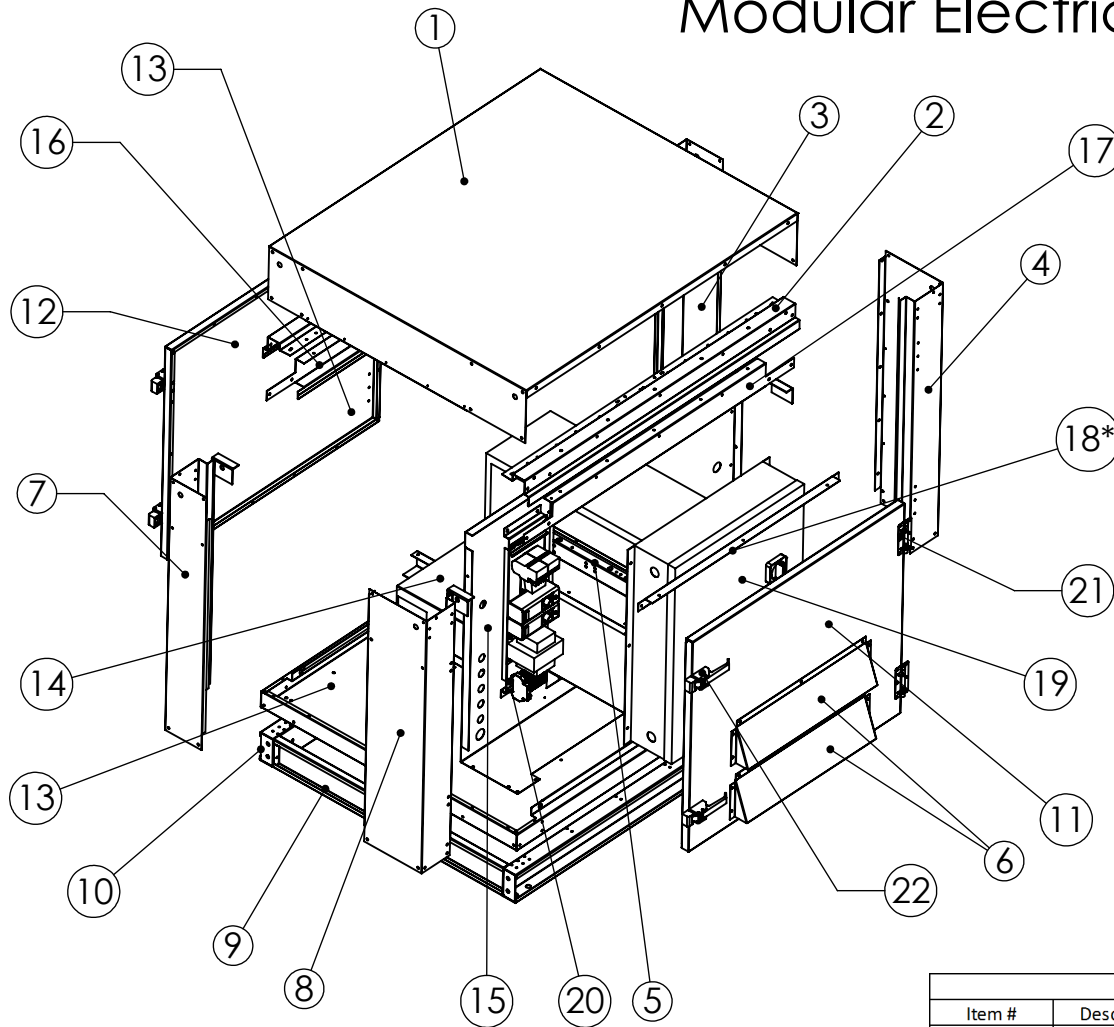


Modular  
Electric  
Heater

11/18/2016

# Modular Electric Heater 1/2/3



## NOTES:

- 1) RRDJH with rotary disconnect part number - EH\*RRDJRDH.
- 2) Warren Coils use (2) MEHCSPT coil supports.

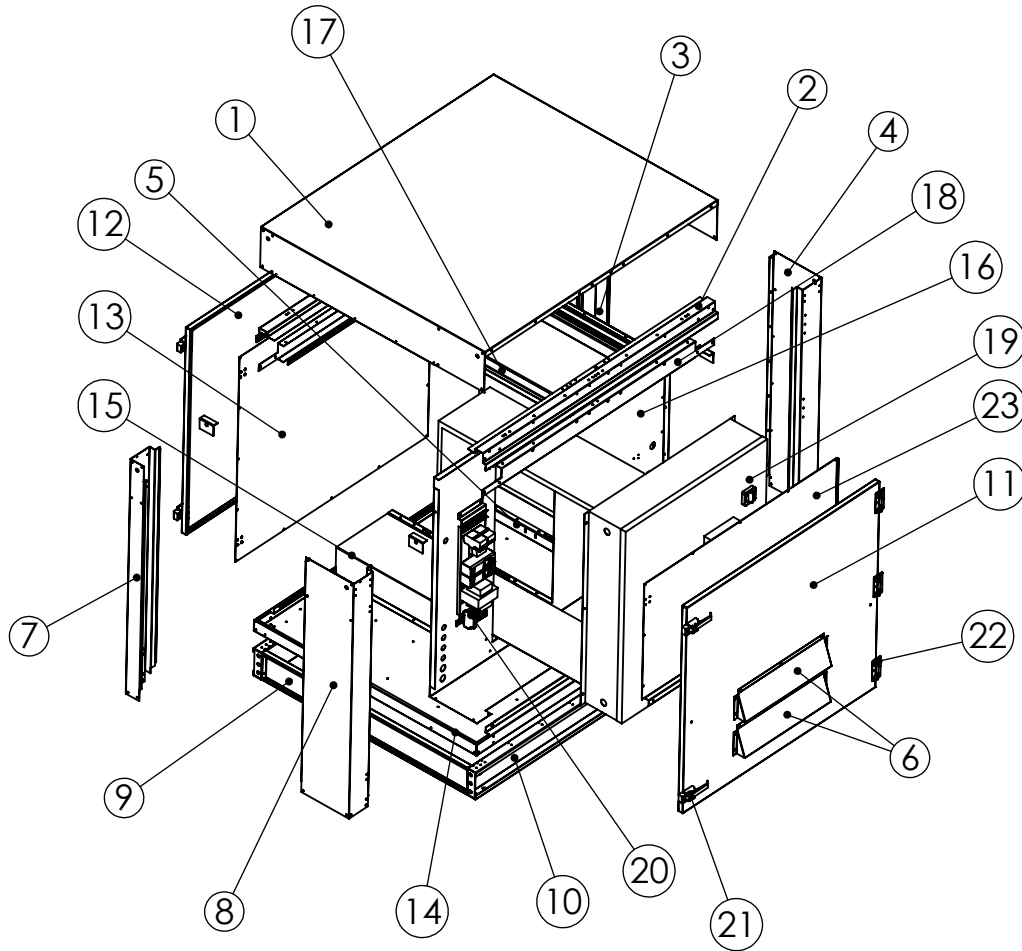
\* EH Removable Flange (EH13TRFH) rivets behind EH Top Door Support (EH13TDSP). This part is installed after securing Electric insert on Electric Cabinet Back (EH\*ECBK).

EH Coil Part Numbers & Information			
Item #	Part Number	KW	VAC-PH
21	EMC1-**KW2401	**	240-1
21	EMC1-**KW2403	**	240-3
21	EMC1-**KW4803	**	480-3
21	EMC1-**KW6003	**	600-3
21	EMC2-**KW2403	**	240-3
21	EMC2-**KW4803	**	480-3
21	EMC2-**KW6003	**	600-3
21	EMC3-**KW2403	**	240-3
21	EMC3-**KW4803	**	480-3
21	EMC3-**KW6003	**	600-3
21	EMC3-**KW2403	**	240-3

\*\* represents the selected coil kW

Electric Heater Part Information 1/2/3							
Item #	Description Of Part	Size 1	#	Size 2	#	Size 3	#
1	Lid	D1LIDD	1	D2LIDD	1	D3LIDD	1
2	Drip Rail	MD13DR	2	MD13DR	2	MD13DR	2
3	Left Front Post	D1LTFPH	1	D2LTFPH	1	D3LTFPH	1
4	Right Front Post	D1RTFPH	1	D2RTFPH	1	D3RTFPH	1
5	Horizontal Support	M1HSUP	2	M2HSUP	2	M3HSUP	2
6	Louver Cover	MD15LCOVER	2	MD15LCOVER	2	MD15LCOVER	2
7	Left Rear Post	D1LRDJNVH	1	D2LRDJNVH	1	D3LRDJNVH	1
8	Right Rear Post	EH1RRDJH	1	EH2RRDJH	1	EH3RRDJH	1
9	End Flashing	M1EFLS	2	M2EFLS	2	M3EFLS	2
10	Main Rail	MD12MR	2	MD12MR	2	MD3MR	2
11	Double Louvered Door	D1DOORDLH	1	D2DOORDLH	1	D3DOORDLH	1
12	Door	D1DOORH	1	D2DOORH	1	D3DOORH	1
13	Bottom	D1BOTTH	1	D2BOTTH	1	D3BOTTH	1
14	Coil Support	MEHCPST	2	MEHCPST	2	MEHCPST	2
15	Electric Cabinet Back	EH1ECBK	1	EH2ECBK	1	EH3ECBK	1
16	Top Door Support	D13TDSP	1	D13TDSP	1	D13TDSP	1
17	EH Top Door Support	EH13TDSP	1	EH13TDSP	1	EH13TDSP	1
18	EH Removable Flange	EH13TRFH	1	EH13TRFH	1	EH13TRFH	1
19	SCR Electric Coil	See Above	1	See Above	1	See Above	1
20	Electric Board	MEHBRD	1	MEHBRD	1	MEHBRD	1
21	Hinges	HG-OTA100	4	HG-OTA100	4	HG-OTA100	4
22	Latches	A7-10-351-20	2	A7-10-351-20	4	A7-10-351-20	4

# Modular Electric Heater 4/5



## NOTES:

- 1) RRDJH with rotary disconnect part number - EH\*RRDJRH.
- 2) Warren Coils use (2) MEHCSPT coil supports.

EH Coil Part Numbers & Information			
Item #	Part Number	KW	VAC-PH
19	EMC4-**KW2403	**	240-3
19	EMC4-**KW4803	**	480-3
19	EMC5-**KW6003	**	600-3
19	EMC4-**KW4803	**	480-3
19	EMC5-**KW6003	**	600-3

\*\* represents the selected coil kW

Electric Heater Part Information 4/5					
Item #	Description Of Part	Size 4	#	Size 5	#
1	Lid	D4LIDD	1	D5LIDD	1
2	Drip Rail	MD45DR	2	MD45DR	2
3	Left Front Post	D4LTFPH	1	D5LTFPH	1
4	Right Front Post	D4RTFPH	1	D5RTFPH	1
5	Horizontal Support	M4HSUP	2	M5HSUP	2
6	Louver Cover	MD15LCOVER	2	MD15LCOVER	2
7	Left Rear Post	D4LRDJNVH	1	D5LRDJNVH	1
8	Right Rear Post	EH4RRDJH	1	EH5RRDJH	1
9	End Flashing	M4EFLS	2	M5EFLS	2
10	Main Rail	MD45MR	2	MD45MR	2
11	Double Louvered Door	D4DOORDLH	1	D5DOORDLH	1
12	Door	D4DOORH	1	D5DOORH	1
13	Door Liner	D4DOORHLH	1	D5DOORHLH	1
14	Bottom	D4BOTTH	1	D5BOTTH	1
15	Coil Support	MEHCPST	2	MEHCPST	2
16	Electric Cabinet Back	EH4ECBK	1	EH5ECBK	1
17	Lid Support	M4LSUP	1	M5LSUP	1
18	Door Support	E4TDSH	2	E5TDSH	2
19	SCR Electric Coil	See Above	1	See Above	1
20	Electric Board	MEHBRD	1	MEHBRD	1
21	Door Latches	A7-10-351-20	4	A7-10-351-20	4
22	Door Hinges	HG-OTA-100	6	HG-OTA-100	6
23	Louvered Door Liner	D4DOORLLH	1	D5DOORLLH	1