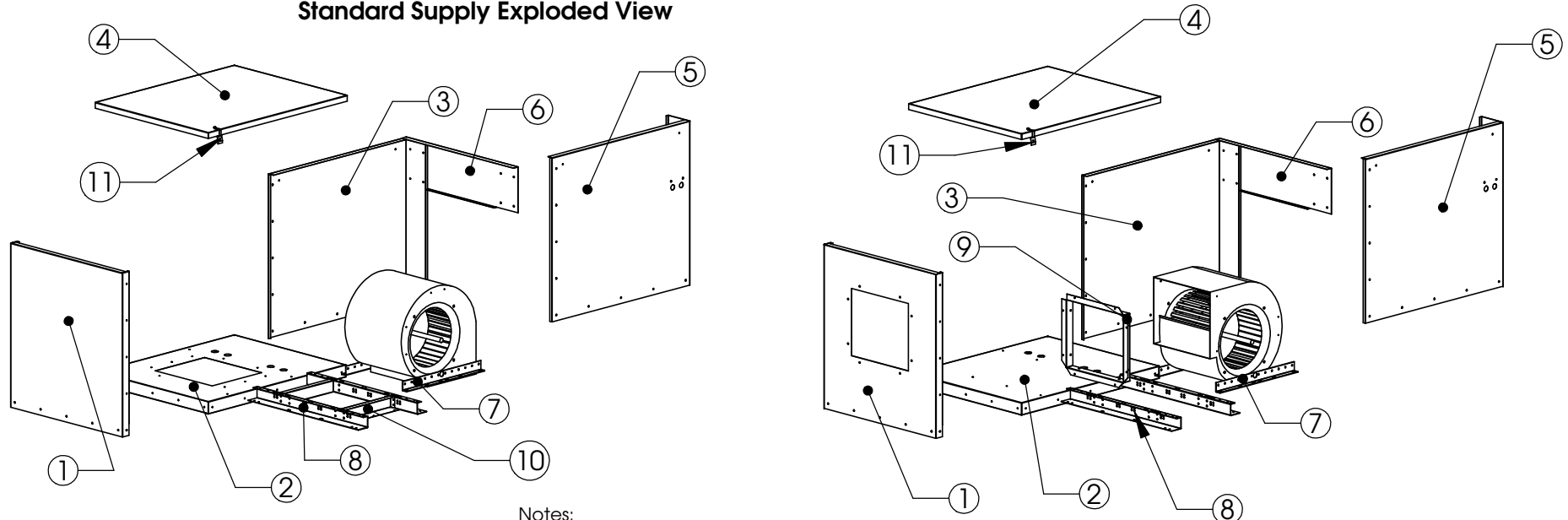


### Standard Supply Exploded View



**Notes:**

- 2) Right side has multiple configurations for various disconnect switches.  
(RD) for rotary disconnect  
(NS) for no switch
- 3) Disconnect switch is dependent on motor load.
- 4) L1VIB vibration isolator used on G Series blowers.

### Blower Size and Orientation

| #                       | Part Name            | Quantity | G10 Down    | G10 Side | G12 Down   | G12 Side | G15 Down   | G15 Side |
|-------------------------|----------------------|----------|-------------|----------|------------|----------|------------|----------|
| 1                       | Back                 | 1        | B1DDBA      | B10SBA   | B2DDBA     | B22SBA   | B2DDBA     | B25SBA   |
| 2                       | Bottom               | 1        | B10DBO      | B1SDBO   | B22DBO     | B2SDBO   | B25DBO     | B2SDBO   |
| 3                       | Left Side            | 1        | B1LTSD      |          | B2LTSD     |          |            |          |
| 4                       | Lid                  | 1        | B1LID1      |          | B2LID1     |          |            |          |
| 5                       | Right Side           | 1        | B1RTSD      |          | B2RTSD     |          |            |          |
| 6                       | Top Brace            | 1        | B1TPBR      |          | B2TPBR     |          |            |          |
| 7                       | Blower Brace         | 2        | B1BLBC      |          | B2BLBC     |          |            |          |
| 8                       | Horizontal Support   | 2        | M1HSUP      |          | M2HSUP     |          |            |          |
| 9                       | Blower Collar        | 1        | N/A         | B1G10COL | N/A        | B2G12COL | N/A        | B3G18COL |
| 10                      | Blower Discharge Cap | 2        | B1G10DCP    | N/A      | B2G12DCP   | N/A      | B2G15DCP   | N/A      |
| 11                      | Ludwig Clips         | 4        | A-41        |          |            |          |            |          |
| Motor Mounting Hardware | Motor Brackets       | 1        | G10BRACKET  |          | G12BRACKET |          | G15BRACKET |          |
|                         | Scroll Plate Angle   | 2        | SCROLLPLATE |          |            |          |            |          |
|                         | Direct Drive Bracket | 2        | B1DDMM      |          | N/A        |          |            |          |