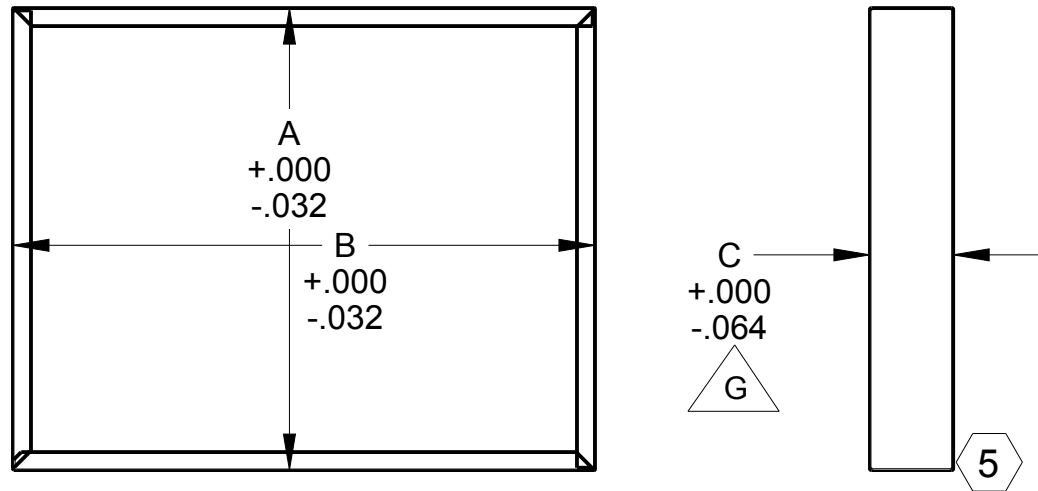
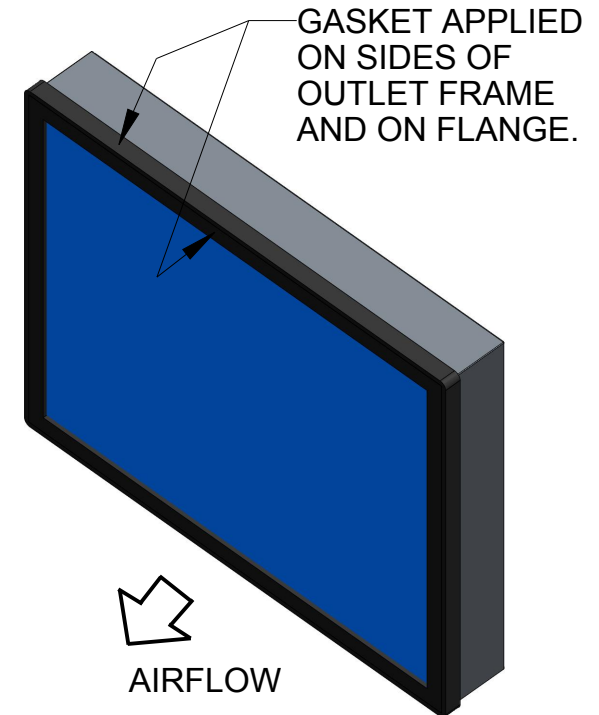


MODEL #	DESCRIPTION	NOMINAL, AxBxC	ACTUAL, AxBxC
B21197	BPS PNL, COCO	16 X 20 X 4	15.25 X 19.25 X 3.500
B21198	BPS PNL, KOH	16 X 20 X 4	15.25 X 19.25 X 3.500
B21199	BPS PNL, COCO/PERM	16 X 20 X 4	15.25 X 19.25 X 3.500
B21200	BPS PNL, PERM	16 X 20 X 4	15.25 X 19.25 X 3.500
B21709	BPS PNL COCO	20 X 25 X 4	19.25 X 24.25 X 3.500
B21710	BPS PNL KOH	20 X 25 X 4	19.25 X 24.25 X 3.500
B21711	BPS PNL CP BLEND	20 X 25 X 4	19.25 X 24.25 X 3.500
B21712	BPS PNL PERM	20 X 25 X 4	19.25 X 24.25 X 3.500

REV	ECN NO.	DESCRIPTION	BY	DATE
E	1738	REVISED GASKETING	MB	02-23-15
F	1775	CHANGED FRAME CONSTRUCTION, TOLERANCES, AND GASKET.		07-08-15
G	1800	CHANGED THICKNESSES, 3.625 TO 3.500	MB	10-22-15



5. DIMENSIONS AT CORNERS AFFECTED BY OVERLAP OF MATERIAL THICKNESS.

4. BPS BONDED ACTIVATED CARBON FILTER IN A 24 GA GALVANIZED STEEL FRAME.
3. MINIMUM 60 CTC ACTIVITY CARBON.
2. THE BONDED CARBON PANEL SHALL BE PROTECTED WITH MERV 6 POLYESTER ON BOTH SIDES.
1. GASKET ON DOWNSTREAM AIRFLOW SIDE: PRES-ON P/N 10010081. UVDI P/N B50-10031.

NOTES:
(UNLESS OTHERWISE SPECIFIED)

This drawing contains proprietary information of UltraViolet Devices, Inc. By accepting this drawing the recipient agrees that this drawing will not be used, reproduced in whole or in part, or its contents revealed to others, except to meet the purposes for which it was delivered. It is understood that no right is conveyed to reproduce or to have reproduced any item herein disclosed without express permission from UltraViolet Devices, Inc.

 UltraViolet Devices, Inc. Valencia, California			
DIMENSIONS ARE IN INCHES UNLESS OTHERWISE SPECIFIED TOLERANCES UNLESS OTHERWISE SPECIFIED X.X ± 0.1 X.XX ± 0.03 X.XXX ± 0.015 X.X" ± 0.5"		DESCRIPTION BPS BONDED PANEL FILTERS	
PART NO. B21197		G REV	
DRAWN MB	DATE Feb-23-15	ENGR 	DATE
CHK 	DATE 	GEN. MNGR. 	DATE
A SIZE	.125 SCALE	1 OF 1 SHEET	