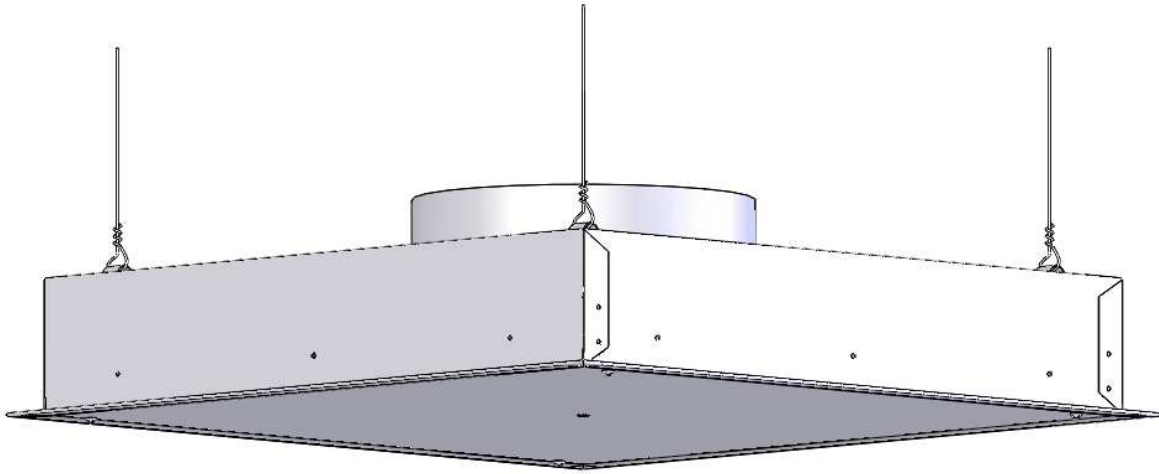


# DROP-IN PERFORATED SUPPLY PLENUM

MODEL: DI-PSP



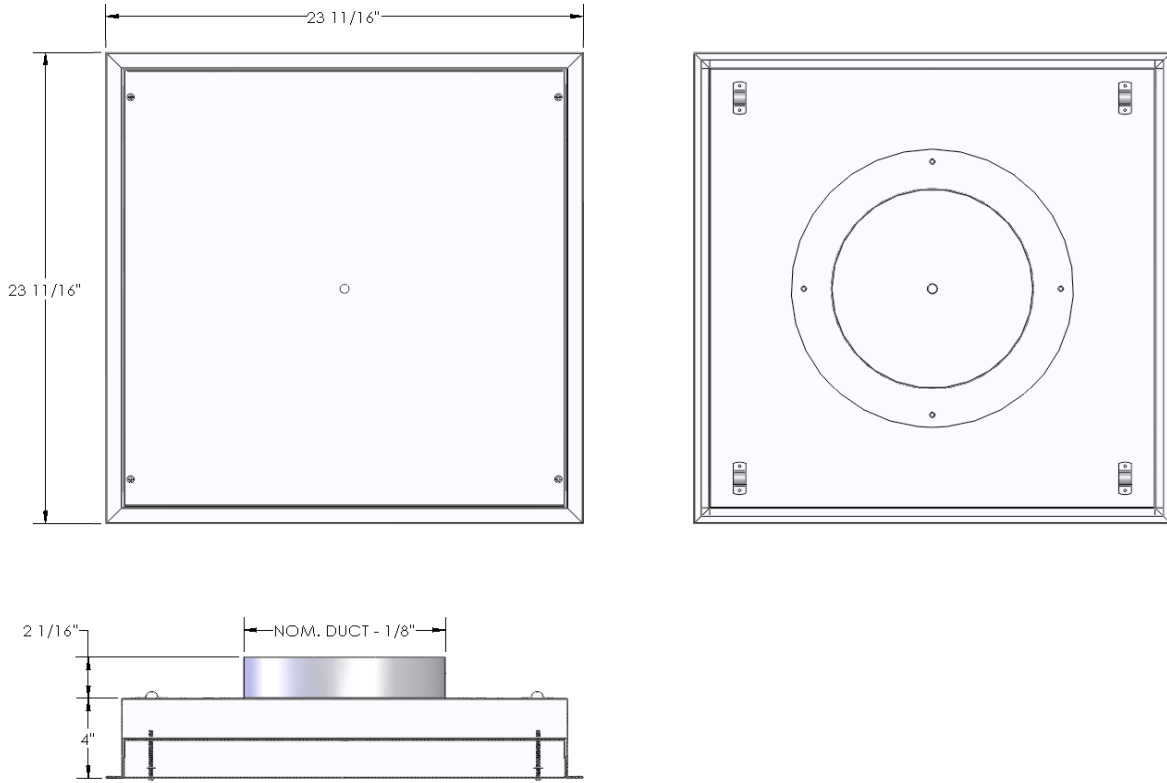
## DESIGN FEATURES

- TWO LAYERS OF PERFORATED METAL DELIVERS UNI-DIRECTIONAL LAMINAR AIRFLOW
- SLIDING RADIAL VOLUME DAMPER WITH ACCESS PLUG IN BOTTOM FACE FOR DAMPER ADJUSTMENT
- COMPATIBLE WITH 24" X 24" T-BAR CEILING GRID
- CORNER HANGING BRACKETS FOR WIRE SUPPORT TO JOISTS
- REMOVABLE PERFORATED MATERIAL FOR CLEANING AND DUCT ACCESS
- INSULATED FOR HIGH HUMIDITY APPLICATIONS

## MATERIAL

- PERFORATED FACE – STAINLESS STEEL
- PLENUM – GALVANIZED STEEL
- OUTER FRAME – STAINLESS STEEL
- FASTENERS & HARDWARE – ZINC-PLATED STEEL
- APPROX. WEIGHT = 20 lbs

# DROP IN PERFORATED SUPPLY PLENUM MODEL: DI-PSP



## PERFORMANCE DATA

DUCT DIA. (in.)	FLOW RATE (cfm)	DUCT VEL. (fpm)	Ps, without damper (in. Wg)	Ps, with damper (in. Wg)
8	600	1719	0.344	0.689
	500	1432	0.239	0.478
	400	1146	0.153	0.306
	300	859	0.086	0.172
	200	573	0.038	0.077
10	600	1100	0.300	0.397
	500	917	0.209	0.276
	400	733	0.134	0.177
	300	550	0.075	0.099
	200	367	0.033	0.044
12	600	764	0.180	0.230
	500	637	0.125	0.160
	400	509	0.080	0.102
	300	382	0.045	0.058
	200	255	0.020	0.026

### VERTICAL THROW (ft.)

FLOW RATE (cfm)	T150	T100	T50
600	1.25	3.00	7.75
500	0.50	2.50	6.25
400	---	1.25	4.50
300	---	---	3.75
200	---	---	0.50