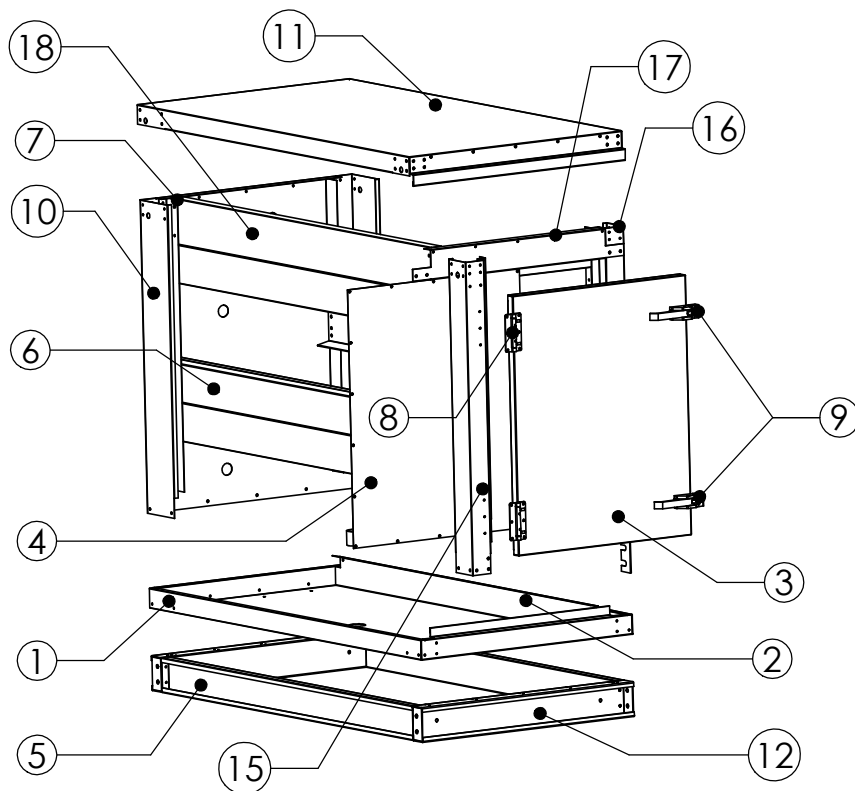


#	Description	Revised by	ECN#	Date
0	Released to production	NR	2615	4/6/15

PCU EXPLODED VIEW

Short Filter Module Section



NOTES:

- 1) Short Section is used for all Filter modules **EXCEPT LAST** Filter module.
- 2) E#PCLSID-PF-V2 is used ONLY for FIRST FILTER MODULE and CORE UNITS.
- 3) Use R-10480-S-1/4" BY 1" (AX # A0022006) on E#PCDRSP-LMV2, E#PCBOT, E#PCRTFP-V2 and E#PCRRDJ

	Description	#1	#2	#3	#4	#5	#6
1	Bottom	E1PCBOT-V2	E2PCBOT-V2	E3PCBOT-V2	E4PCBOT-V2	E5PCBOT-V2	E6PCBOT-V2
2	Bottom Filter Blank	E1PCBFBL-V2	E2PCBFBL-V2	E3PCBFBL-V2	E4PCBFBL-V2	E5PCBFBL-V2	E6PCBFBL-V2
3	Door	E1PCDR-V2	E2PCDR-V2	E3PCDR-V2	E4PCDR-V2	E5PCDR-V2	E5PCDR-V2
4	Door Liner	E1PCLINER-V2	E2PCLINER-V2	E3PCLINER-V2	E4PCLINER-V2	E5PCLINER-V2	E5PCLINER-V2
5	End Flashing	M1EFLS	M2EFLS-V2	M3EFLS	M4EFLS-V2	M5EFLS	M6EFLS-V2
6	Filter Track	E1PCFT(6)	E2PCFT (8)	E3PCFT (8)	E4PCFT (10)	E5PCFT (12)	E6PCFT (12)
7	Filter Track Support	E1PCFTSP (2)	E2PCFTSP (2)	E3PCFTSP (2)	E4PCFTSP (2)	E5PCFTSP (2)	E5PCFTSP (2)
8	Hinge	HG-OTA100 (2)					
9	Latch	173SST (2)					
10	Left Side	E1PCLSID-V2	E2PCLSID-V2	E3PCLSID-V2	E4PCLSID-V2	E5PCLSID-V2	E5PCLSID-V2
		E1PCLSID-PF-V2	E2PCLSID-PF-V2	E3PCLSID-PF-V2	E4PCLSID-PF-V2	E5PCLSID-PF-V2	E5PCLSID-PF-V2
11	Lid	E1PCLIDD-V2	E2PCLIDD-V2	E3PCLIDD-V2	E4PCLIDD-V2	E5PCLIDD-V2	E6PCLIDD-V2
12	Main Rail	ME1MNRL-V2 (2)	ME2MNRL-V2 (2)	ME3MNRL-V2 (2)	ME4MNRL-V2 (2)	ME56MNRL-V2 (2)	ME56MNRL-V2 (2)
13	PC Filter Blank	N/A	N/A	N/A	N/A	E5PCFB (6)	N/A
14	PC Filter Blank Cover	N/A	N/A	N/A	N/A	E5PCFBCVR (6)	N/A
15	Right Rear Door Jam	E1PCRRDJ	E2PCRRDJ	E3PCRRDJ	E4PCRRDJ	E5PCRRDJ	E5PCRRDJ
16	Right Front Post	E1PCRTFP-V2	E2PCRTFP-V2	E3PCRTFP-V2	E4PCRTFP-V2	E5PCRTFP-V2	E5PCRTFP-V2
17	Top Door Support	E1PCDRSP-V2	E2PCDRSP-V2	E3PCDRSP-V2	E4PCDRSP-V2	E5PCDRSP-V2	E5PCDRSP-V2
18	Top Filter Blank	E1PCTFBL	E2PCTFBL	E3PCTFBL	E4PCTFBL	E5PCTFBL	E6PCTFBL