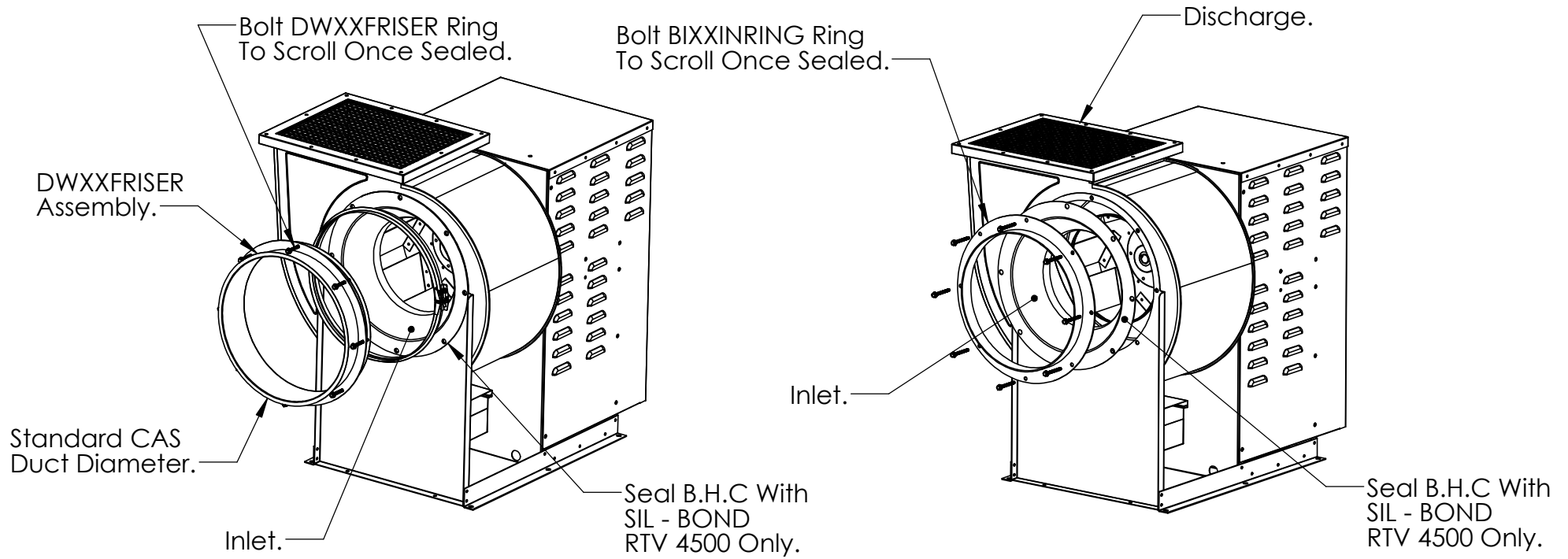


Inlet Options - Up Blast Utility Set



Inlet Connections						
Fan Size	Duct Diameter	Inlet Connection	B.H.C.	Inlet Ring OD	Hardware #	Hardware Qty
11	12"	DW12FRISER	13.375"	12.500"	1/4" - 20 x 1 1/2" (92323A523)	8
13	14"	DW14FRISER	15.375"	13.500"	1/4" - 20 x 1 1/2" (92323A523)	8
15	16"	DW16FRISER	17.375"	15.250"	1/4" - 20 x 1 1/2" (92323A523)	8
18	20"	DW20FRISER	21.375"	18.500"	1/4" - 20 x 1 1/2" (92323A523)	8
20	20"	DW20FRISERUSBI20	22.375"	19.625"	1/4" - 20 x 1 1/2" (92323A523)	8
24	24"	DW24FRISERUSBI24	28.000"	25.375"	3/8" - 16 X 1 1/2" (92323A558)	8
30	24"	DW24FRISERUSBI30	26.962"	24.375"	3/8" - 16 X 1 1/2" (92323A558)	8
36	24"	DW307524ADPEC	N/A	30.500"	3/8" - 16 X 1 1/2" (92323A558)	8
11	12"	BI11INRING	13.375"	12.500"	1/4" - 20 x 1 1/2" (92323A523)	8
13	14"	BI13INRING	15.375"	13.500"	1/4" - 20 x 1 1/2" (92323A523)	8
15	16"	BI15INRING	17.375"	15.250"	1/4" - 20 x 1 1/2" (92323A523)	8
18	20"	BI18INRING	21.375"	18.500"	1/4" - 20 x 1 1/2" (92323A523)	8
20	20"	BI20INRING	22.375"	19.625"	1/4" - 20 x 1 1/2" (92323A523)	8
24	24"	BI24INRING	28.000"	25.375"	3/8" - 16 X 1 1/2" (92323A558)	8
30	24"	BI30INRING	26.962"	24.375"	3/8" - 16 X 1 1/2" (92323A558)	8
36	24"	BI36INRING	N/A	30.500"	3/8" - 16 X 1 1/2" (92323A558)	8