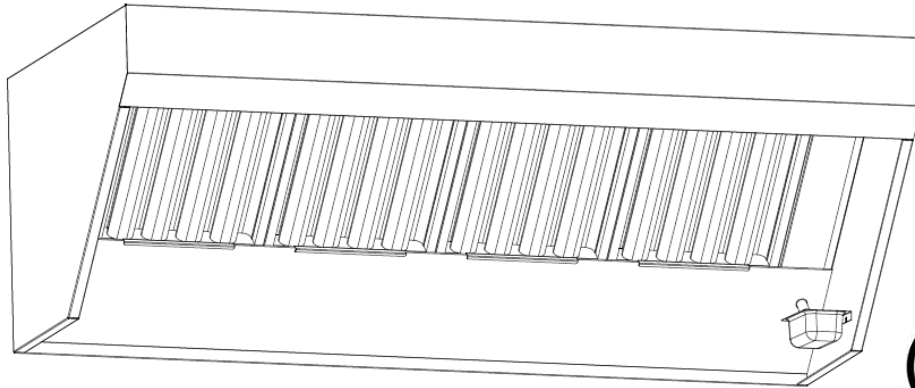


Concession Trailer Hoods Installation Instructions



RECEIVING AND INSPECTION

Upon receiving unit, check for any interior and exterior damage, and if found, report it immediately to the carrier. Also check that all accessory items are accounted for and are damage free.

WARNING!!

Installation of this unit should only be performed by a qualified professional who has read and understands these instructions and is familiar with proper safety precautions. Read this manual thoroughly before installing or servicing this equipment.

WARNING!!

Failure to comply with any and all instructions, and/or use of unspecified hardware, as outlined in this document, will render hood's listing void, render manufacturer's warranty void, and will hold installer liable for any and all damages, losses, and/or jurisdictional violations related to the improper installation of the hood(s).

Save these instructions. This document is the property of the owner of this equipment and is required for future maintenance. Leave this document with the owner when installation or service is complete.

Table of Contents

WARRANTY.....	4
Listing.....	4
INSTALLATION.....	4
Site Preparation	4
Hood Install	5
Start-Up and Maintenance Documentation.....	8

WARRANTY

This equipment is warranted to be free from defects in materials and workmanship, under normal use and service, for a period of 12 months from date of shipment. This warranty shall not apply if:

1. The equipment is not installed by a qualified installer per the MANUFACTURER'S installation instructions shipped with the product,
2. The equipment is not installed in accordance with federal, state and local codes and regulations,
3. The equipment is misused or neglected,
4. The equipment is not operated within its published capacity,
5. The invoice is not paid within the terms of the sales agreement.

The MANUFACTURER shall not be liable for incidental and consequential losses and damages potentially attributable to malfunctioning equipment. Should any part of the equipment prove to be defective in material or workmanship within the 12-month warranty period, upon examination by the MANUFACTURER, such part will be repaired or replaced by MANUFACTURER at no charge. The BUYER shall pay all labor costs incurred in connection with such repair or replacement. Equipment shall not be returned without MANUFACTURER'S prior authorization and all returned equipment shall be shipped by the BUYER, freight prepaid to a destination determined by the MANUFACTURER.

Listing

This hood is ETL-listed to standard UL710, ULC710, and ULC-S646 when installed in accordance with these installation instructions and National Fire Protection Association Standard "NFPA 96, Standard for Ventilation Control and Fire Protection of Commercial Cooking Operations."

INSTALLATION

It is imperative that this unit is installed and operated with the designed airflow, filters and construction in accordance with this manual. If there are any questions about any items, please call the service department at **1-866-784-6900** for warranty and technical support issues.

Site Preparation

1. Provide clearance around installation site to safely rig and lift equipment into its final position. Consider general service and installation space when locating unit.
2. Locate unit close to the space it will serve to reduce long, twisted duct runs.
3. Thoroughly review the plans and specifications of the project.
4. Determine the exact location in which the cooking hood will be installed and verify that there are no interferences which will prevent proper installation.
5. Verify that all overhead beams are structurally strong enough to support the weight of the hood and hanging system.
6. Determine if adequate room is available to install the hood and all ductwork with proper clearances from combustible material. IMC, NFPA96 and local authorities having jurisdiction call for a minimum clearance (typically 18 inches for type 1, grease rated hoods) between the cooking hood(s), exhaust ducts, and building materials which are combustible. However, IMC and NFPA96 outline acceptable clearance reduction methods; **most authorities accept the clearance reduction methods approved in the manufacturer's ETL listing for Type 1, grease rated hoods.** It is important to check with the local authority having jurisdiction to determine that the installation method is satisfactory to meet their requirements prior to installing the equipment.

FOLLOW SMACNA GUIDES AND RECOMMENDATIONS FOR THE INSTALLATION OF HOODS.

Hood Install

1. Locate where the hood will mount inside the trailer. When marking a hole to cut into the roof, the hole should be 1" larger than the exhaust riser hole. Cut a hole directly above where the exhaust riser will protrude.
2. Use the "CT Installation Kit" when installing the hood. The kit will include the following hardware:

Hardware Description	Part Number	Quantity
8" Long SS hex head screw 1/2"-13 TPI	92240A740	4
1/2" SS washers	90107A033	8
1/2"-13 TPI SS Nuts	91845A310	8
Ring Gasket .531"ID, 1.250"OD, .063"THK	36906-6521	4

3. Locate the front and rear 1x2 tubing on the hood. See **Figure 1**.
4. Mark pilot holes, centered maximum of 12 inches in, at each end of the front and rear tube. See **Figure 2**.
5. Drill 1/16" pilot holes through the front and rear tubing into the hood.
6. Align the hood in the location where it will be mounted.
7. Drill 5/8" mounting holes through the hood into the roof where the hood will be mounted permanently.
8. Remove any burrs or metal fragments around the holes.

Figure 1 – Front and Rear Hood Tubing

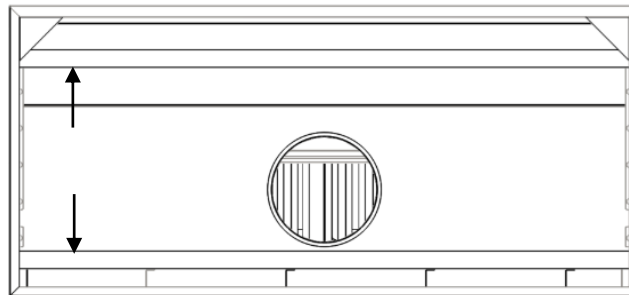
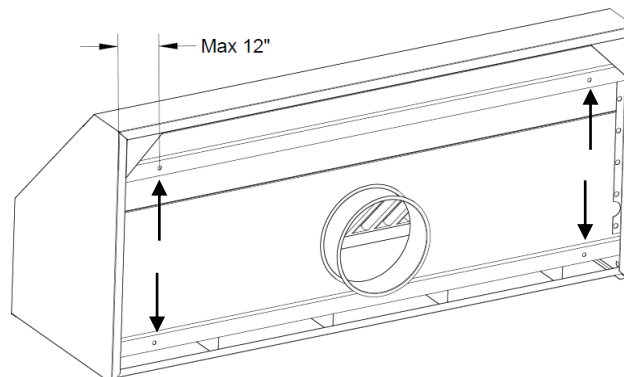


Figure 2 – Pilot Hole Locations



9. See **Figure 3** for hardware installation.
10. Apply caulk around washers.
11. Torque all hardware to 75 in-lbs, unless the Garlock washer begins to deform.

Note: You may remove excess screw threads. There must be at least 1/16" of threads extending past the outward face of the properly torqued nut.

Figure 3 - Hood Installation

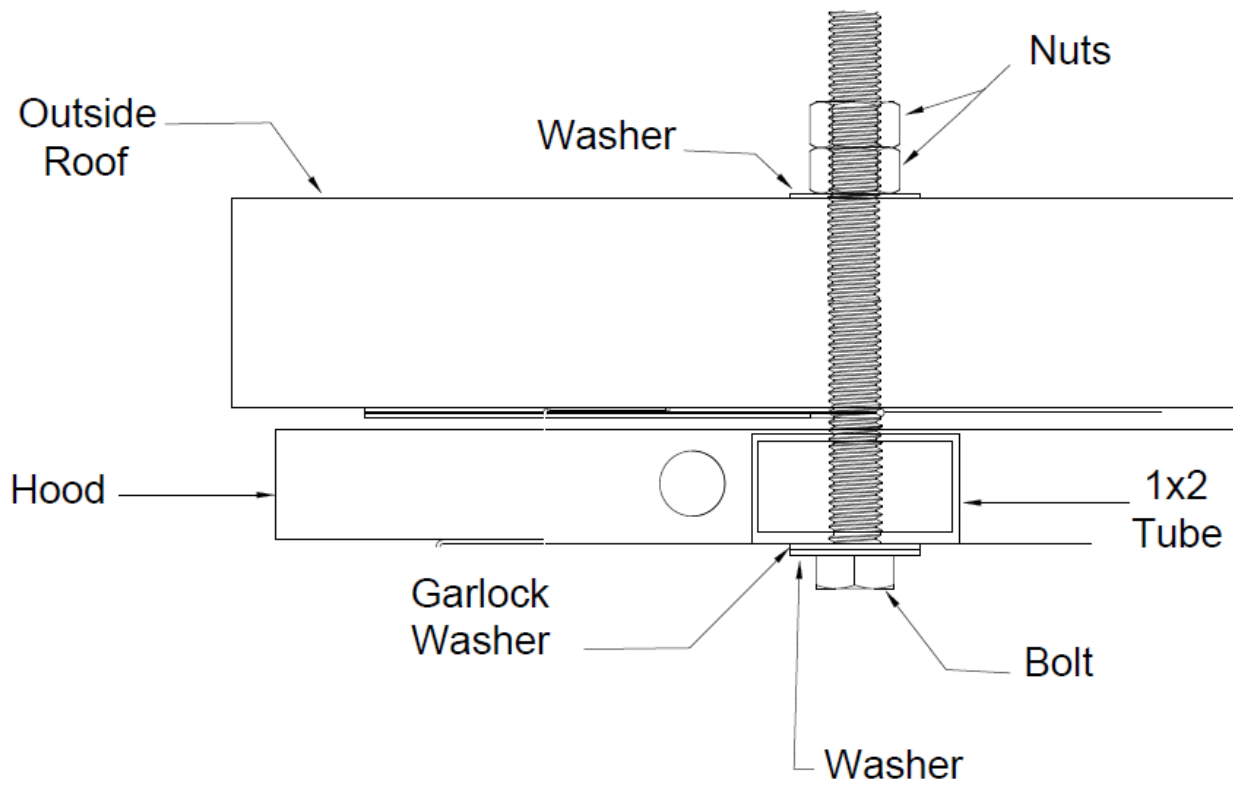
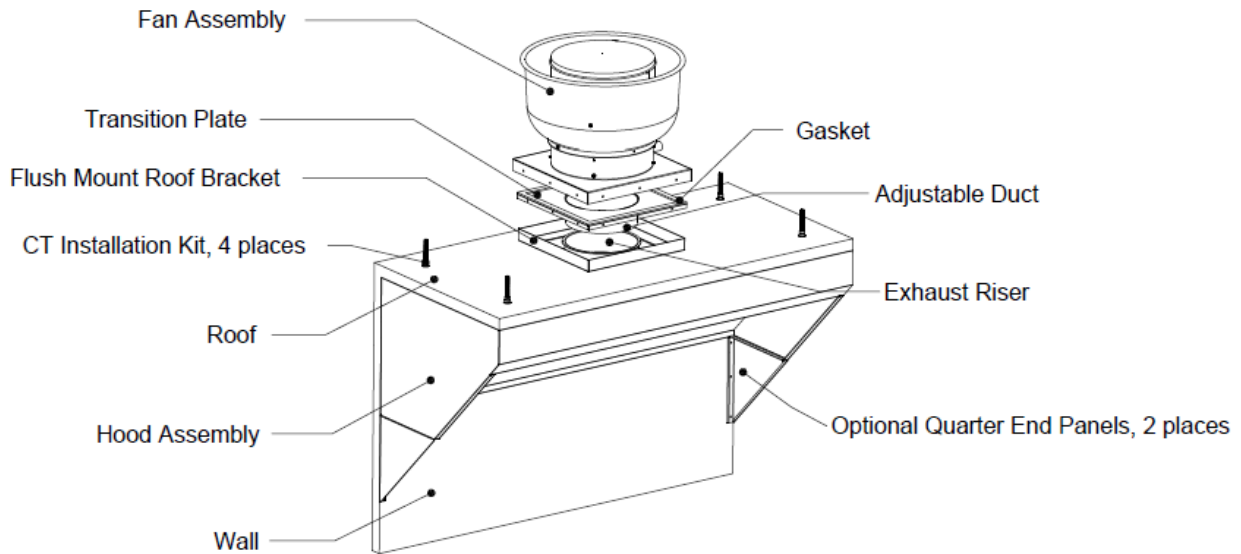


Figure 4 – Installation Exploded View



Kits that are available for the Concession Trailer installation are:

DW1910TPDBEX-CT (10" Adjustable Duct)

DW1912TPDBEX-CT (12" Adjustable Duct)

DW1914TPDBEX-CT (14" Adjustable Duct)

Note: Use 3M-2000 Fire Barrier Silicone Sealant that is provided with your kit.

12. Place the Flush Mount Roof Bracket around the outside roof hole previously cut. Secure the bracket to the roof using provided sheet metal screws. Apply sealant around screw holes and between bracket and roof.
13. Apply a bead of sealant around the perimeter of the Adjustable Duct. Mount the Adjustable Duct in the Exhaust Riser.
14. Use sheet metal screws to attach Transition Plate to the Flush Mount Roof Bracket.
15. Apply Gasket (397-91PSA) on the perimeter of the Transition Plate.
16. Mount Fan Assembly onto the Transition Plate. Use sheet metal screws to secure Fan Assembly to the Flush Mount Roof Bracket.

Figure 5 – Side View of Completed Installation

